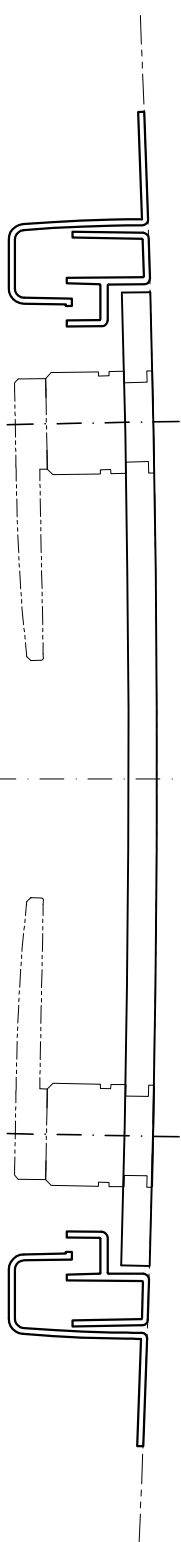
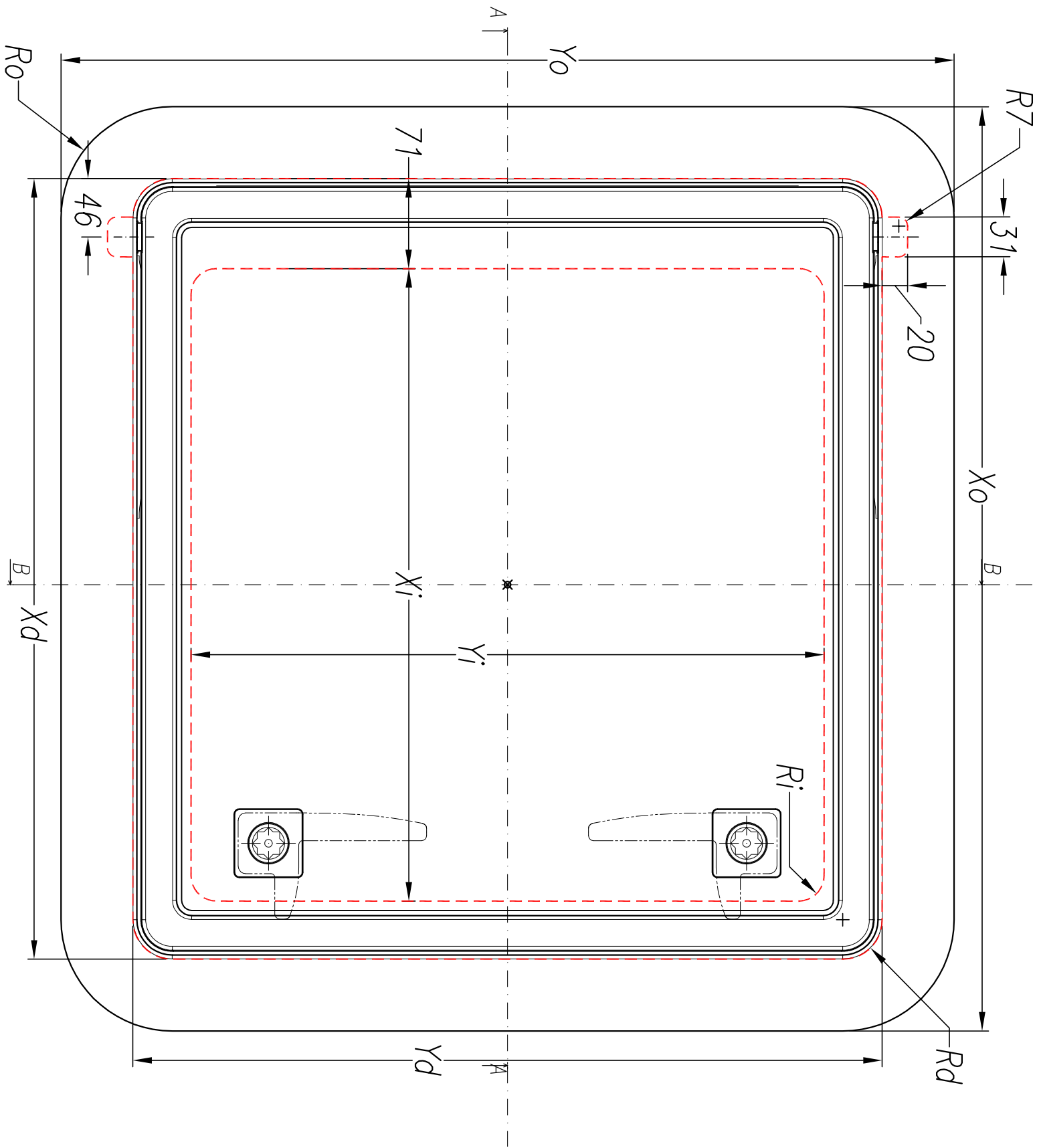
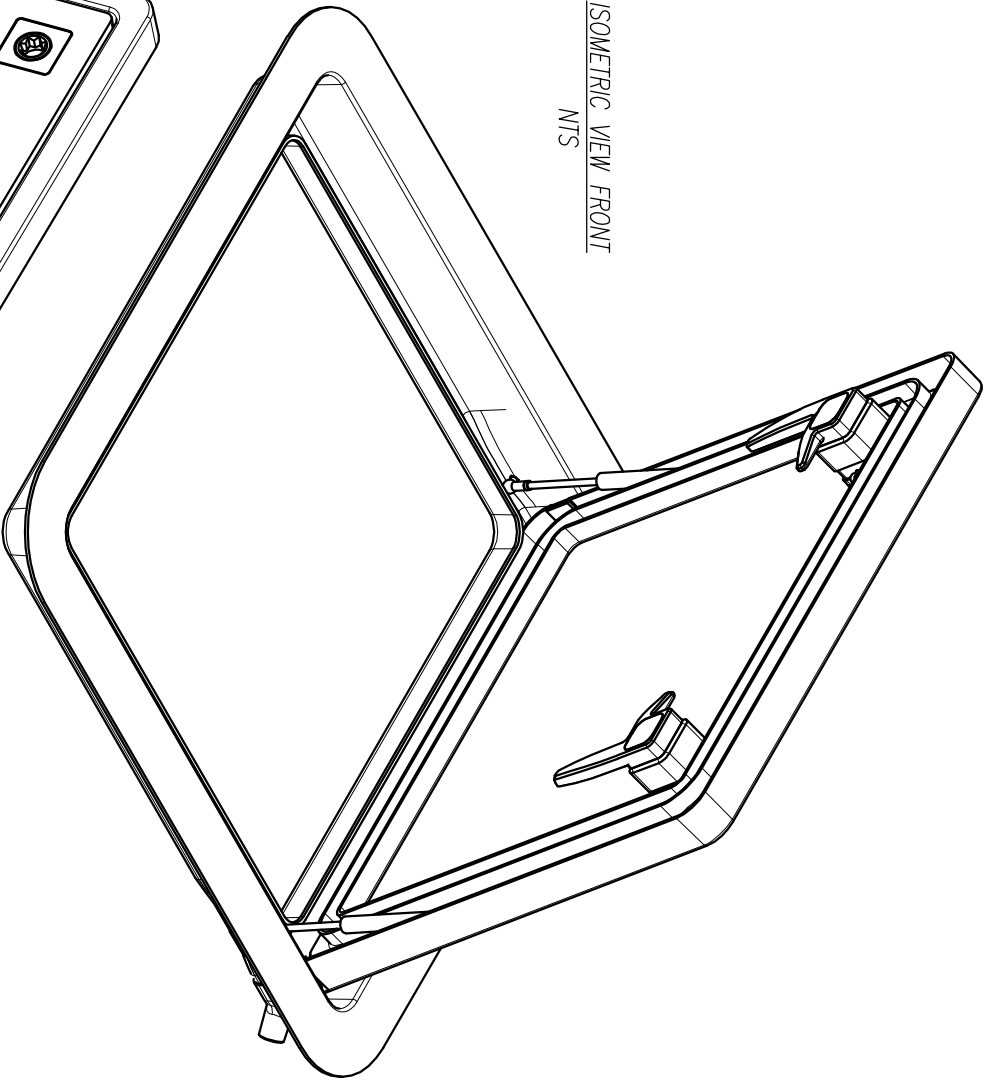


SECTION 'A-A'

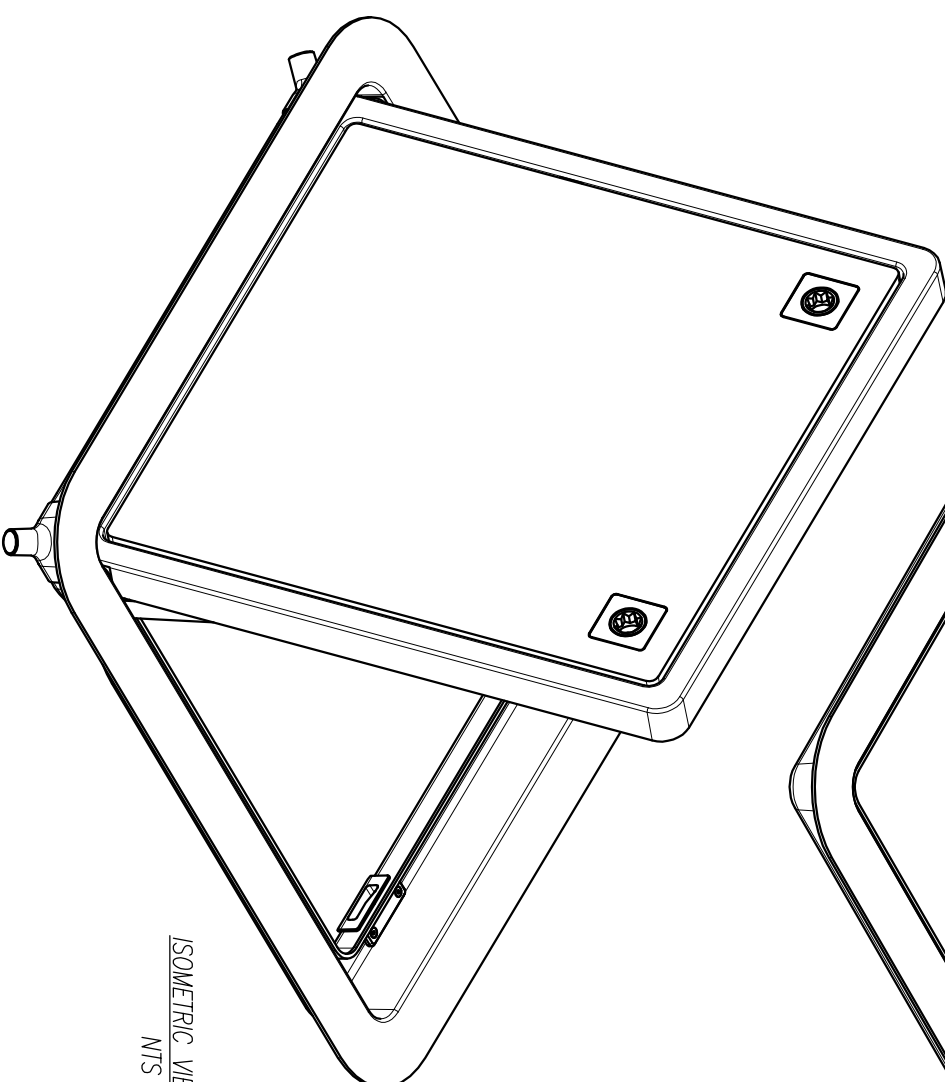


SECTION 'B-B'

ISOMETRIC VIEW FRONT
NTS



ISOMETRIC VIEW BACK
NTS



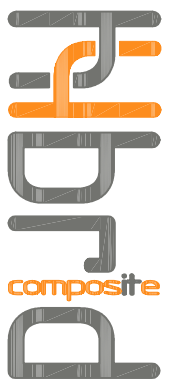
Rev	Date	By	Revision

DESIGN: MK.II FLUSH DECK HATCH

CLIENT: HYBRID COMPOSITE

TITLE: GENERAL LAYOUT

SCALE: 1:4 on A3
 DRAWING BY: TW
 DATE: 10/11/2010
 SHEET: 1 of 1
 ORDERED: TW



THIS DRAWING HAS NOT BEEN APPROVED FOR CONSTRUCTION. IT IS FOR INFORMATION ONLY AND SHOULD NOT BE USED FOR CONSTRUCTION. WITHOUT THE WRITTEN CONSENT OF HYBRID COMPOSITE, C/O HBD COMPOSITE, ALL RIGHTS RESERVED.